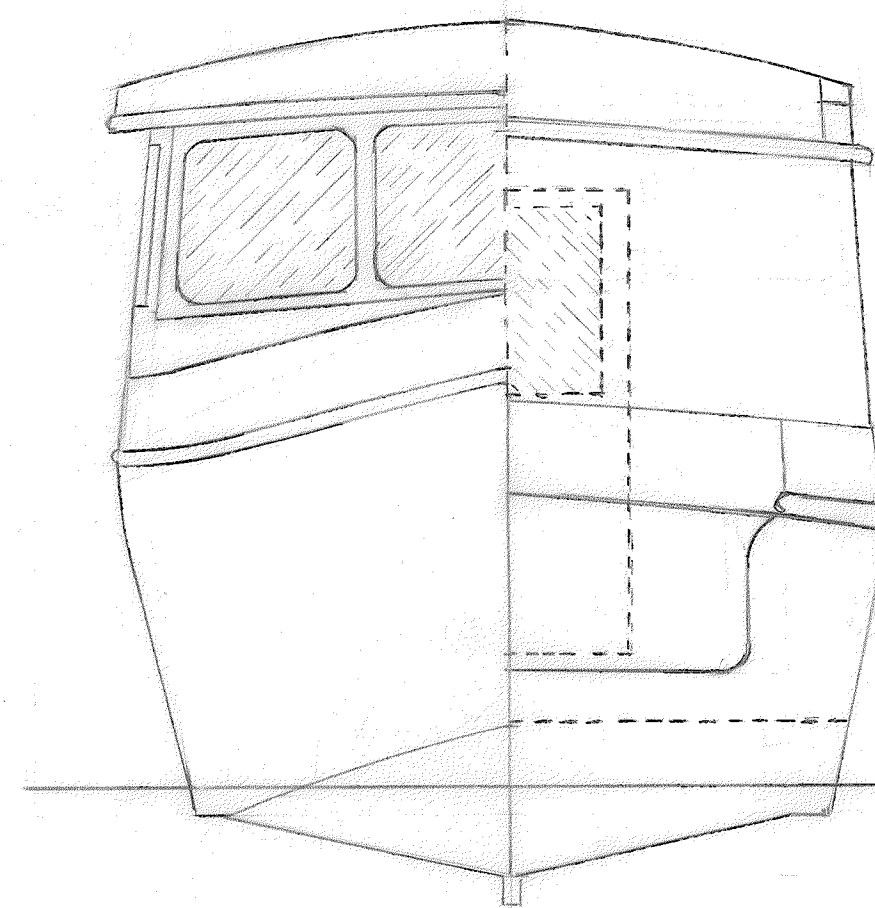
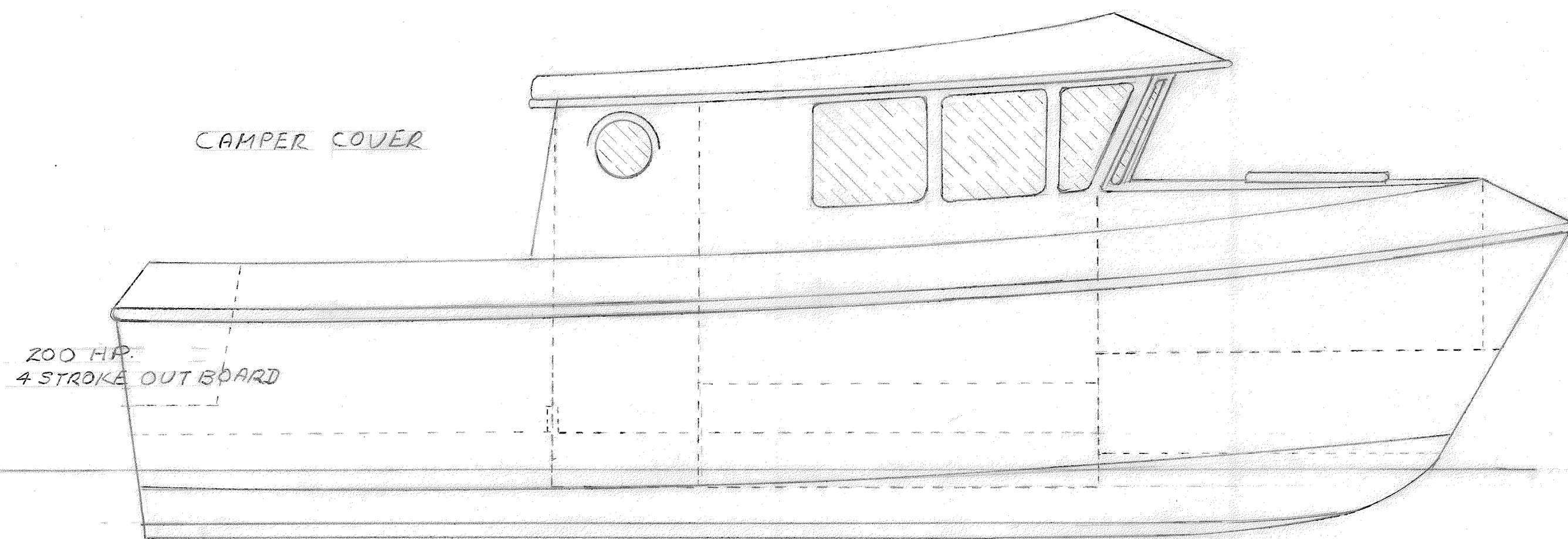


**26 FT. X 8 FT. COMBINATION SEA SKIFF
& RECREATIONAL CAMPER**

- **OVERNIGHTER UP TO 5 BERTHS, LIGHTWEIGHT TRAILERABLE.**
- **SHOWER & VANITY SINK, TOILET & VANITY SINK, SEPARATE STALL FACILITIES.**
- **FULL GALLEY: STOVE, OVEN, SINK, FRIDGE.**
- **OUTDOOR BARBEQUE.**
- **UP TO 200 HP OUTBOARD FULLY SEAWORTHY AND CAPABLE SEA SKIFF.**
- **COMES AS KIT BOAT TO ANY STAGE OR FULLY COMPLETE.**



SPILLER
MARINE SERVICES

MARINE SURVEYORS / DESIGNERS

WWW.SPILLERMARINE.COM PH: 604 760 6477

26'x8' CAMPER SEA SKIFF			
SCALE: 1/2" = 1'	APPROVED BY:	DRAWN BY:	
DATE:		REVISED:	
		ALEC SPILLER	
		DRAWING NUMBER:	